

T-Nuts

Accessory for profile systems, with guide step

SPECIFICATION

Steel
zinc plated, blue passivated

Ball
Stainless Steel

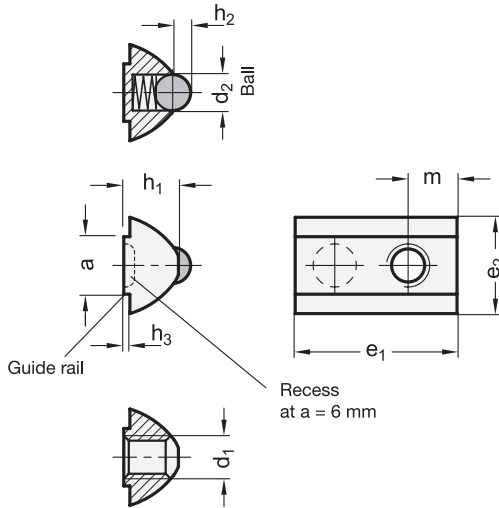
Spring
Stainless Steel

INFORMATION

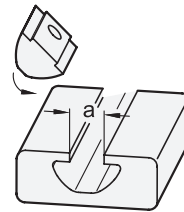
T-Nuts GN 506 can be turned into position, i.e. they can be inserted at any point along the slot.

The guide step positions the nut parallel and centered in relation to the slot, a configuration which eases the sliding movement and prevents the assembly from twisting during tightening.

The spring element (ball / pressure spring) prevents the nut from accidentally sliding inside the slot, which is particularly advantageous when the profile rail is mounted perpendicularly.



T-nuts to swivel in



GN 506

Description	a	d1	d2	e1	e2	h1	h2	h3	m	For slot width a	⚖
GN 506-5-M3	5	M 3	3	12	7.7	4.5	0.7	0.6	4	5	2
GN 506-5-M4	5	M 4	3	12	7.7	4.5	0.7	0.6	4	5	2
GN 506-5-M5	5	M 5	3	12	7.7	4.5	0.7	0.6	4	5	2
GN 506-6-M3	6	M 3	3.5	17	10.5	6.8	0.5	0.8	5	6	6
GN 506-6-M4	6	M 4	3.5	17	10.5	6.8	0.5	0.8	5	6	5
GN 506-6-M5	6	M 5	3.5	17	10.5	6.8	0.5	0.8	5	6	5
GN 506-6-M6	6	M 6	3.5	17	10.5	6.8	0.5	0.8	5	6	5
GN 506-8-M4	8	M 4	5	22	13.4	7.6	1.7	0.85	6.8	8	11
GN 506-8-M5	8	M 5	5	22	13.4	7.6	1.7	0.85	6.8	8	10
GN 506-8-M6	8	M 6	5	22	13.4	7.6	1.7	0.85	6.8	8	10
GN 506-8-M8	8	M 8	5	22	13.4	7.6	1.7	0.85	6.8	8	9